



US00D851212S

(12) **United States Design Patent**
Crenshaw

(10) **Patent No.:** **US D851,212 S**

(45) **Date of Patent:** **** Jun. 11, 2019**

(54) **DUAL NOZZLE SPRAYER**

9,814,227 B2 * 11/2017 Crenshaw A01M 7/0046
9,821,332 B2 * 11/2017 Adams B05B 1/306
D812,717 S * 3/2018 Crenshaw B05B 7/1209
D23/226

(71) Applicant: **Kenneth D. Crenshaw**, Bartlett, TN
(US)

* cited by examiner

(72) Inventor: **Kenneth D. Crenshaw**, Bartlett, TN
(US)

Primary Examiner — Robin V Webster
(74) *Attorney, Agent, or Firm* — Patterson Intellectual
Property Law, P.C.; Edward D. Lanquist, Jr.; Alex H.
Huffstutter

(**) Term: **15 Years**

(21) Appl. No.: **29/624,945**

(57) **CLAIM**

The ornamental design for a dual nozzle sprayer, as shown
and described.

(22) Filed: **Nov. 6, 2017**

(51) **LOC (11) Cl.** **23-01**

DESCRIPTION

(52) **U.S. Cl.**

USPC **D23/226**

(58) **Field of Classification Search**

USPC D23/213, 223, 226

CPC A01M 7/0046; B05B 9/01; B05B 1/30;

B05B 7/08; B05B 5/1691; B05B 5/043;

B05B 5/025; B05B 1/005; B05B 7/083

See application file for complete search history.

FIG. 1 is a left side elevation view of the dual nozzle sprayer
of Applicant's new design, the right side elevation view
being an identical mirror image thereto.

FIG. 2 is a back elevation view of the dual nozzle sprayer of
FIG. 1.

FIG. 3 is a front elevation view of the dual nozzle sprayer
of FIG. 1.

FIG. 4 is a top plan view of the dual nozzle sprayer of FIG.
1; and,

FIG. 5 is a bottom plan view of the dual nozzle sprayer of
FIG. 1.

The broken lines in the drawings illustrate portions of the
dual nozzle sprayer which form no part of the claimed
design.

(56) **References Cited**

U.S. PATENT DOCUMENTS

5,667,143 A * 9/1997 Sebion B05B 7/1209

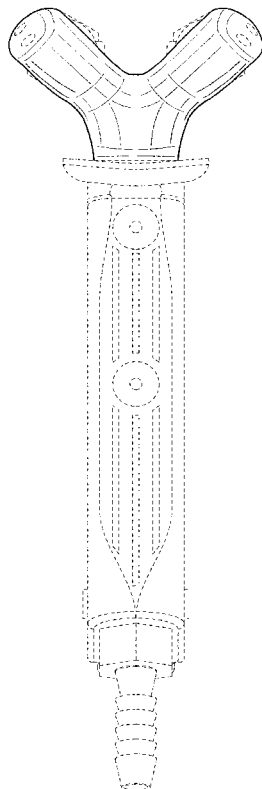
239/415

7,568,636 B2 * 8/2009 Saunders B05B 1/1636

239/303

D800,868 S * 10/2017 Crenshaw D23/226

1 Claim, 3 Drawing Sheets



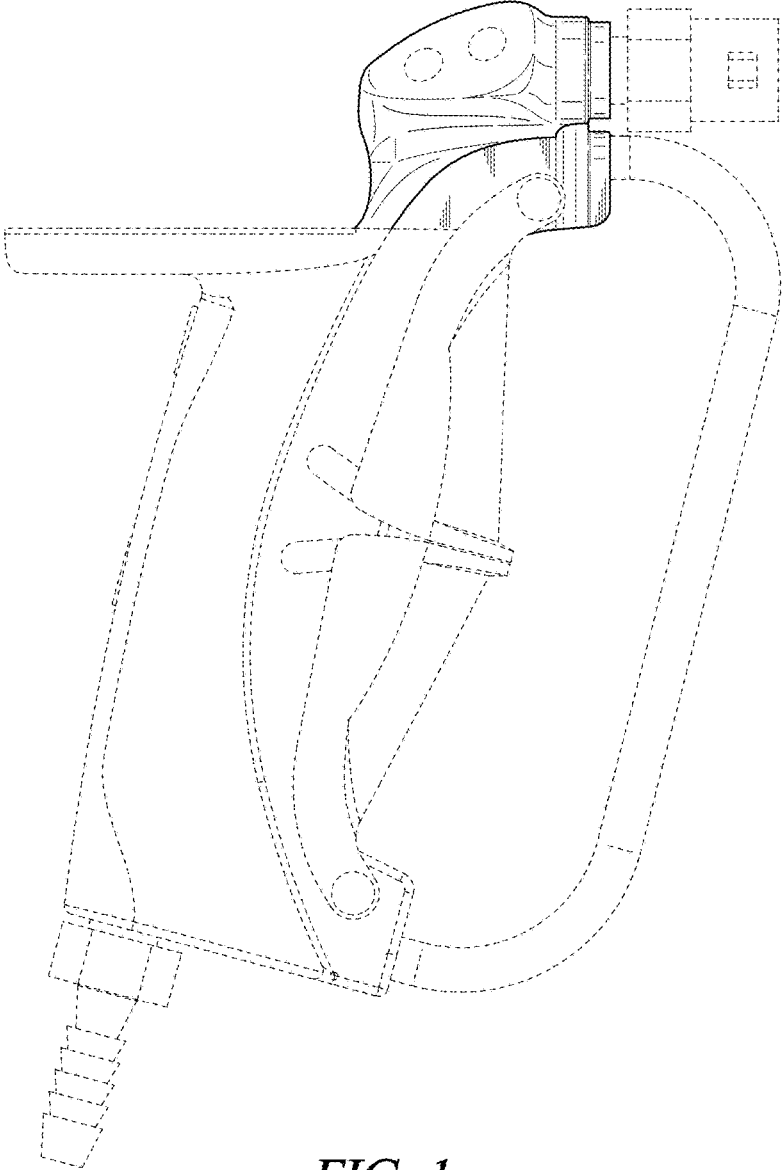


FIG. 1

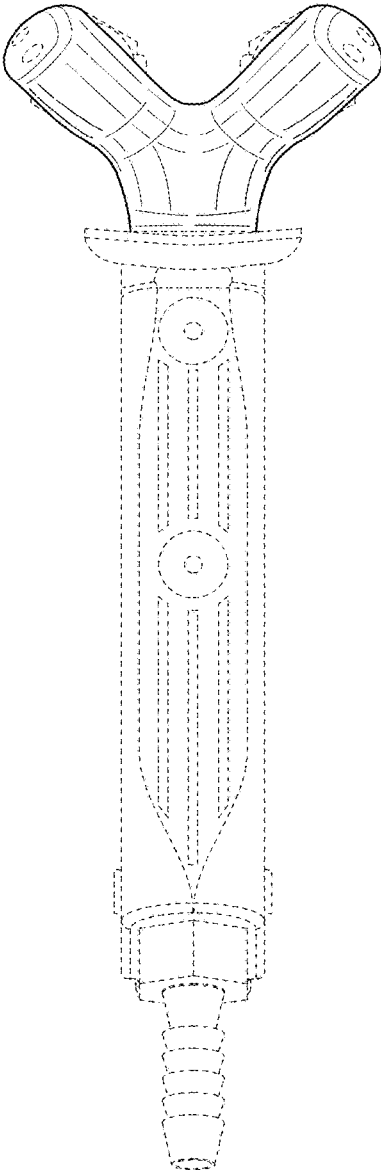


FIG. 2

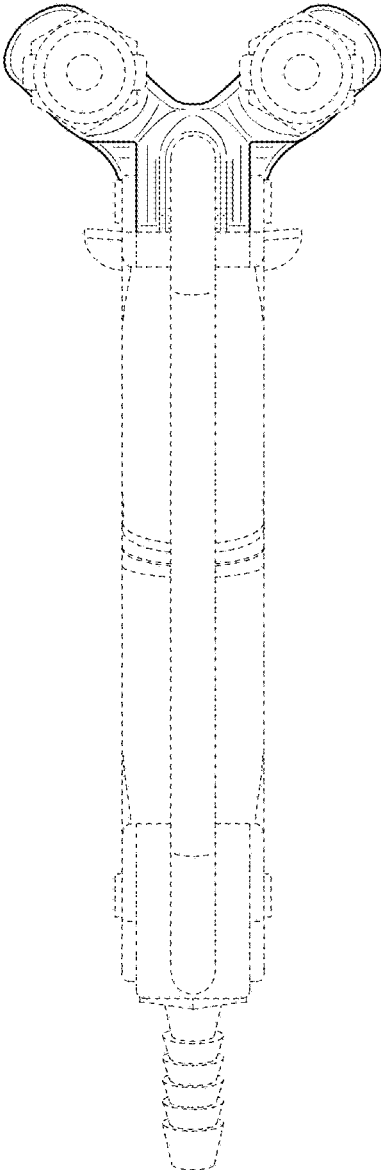


FIG. 3

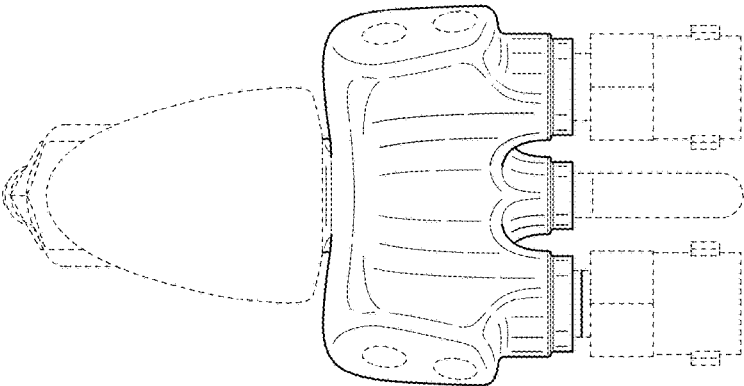


FIG. 4

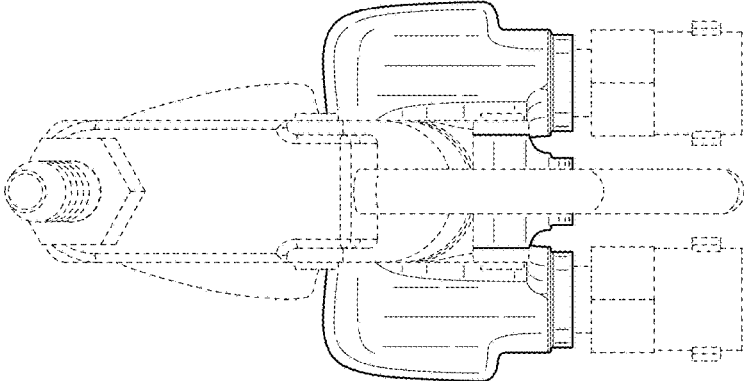


FIG. 5